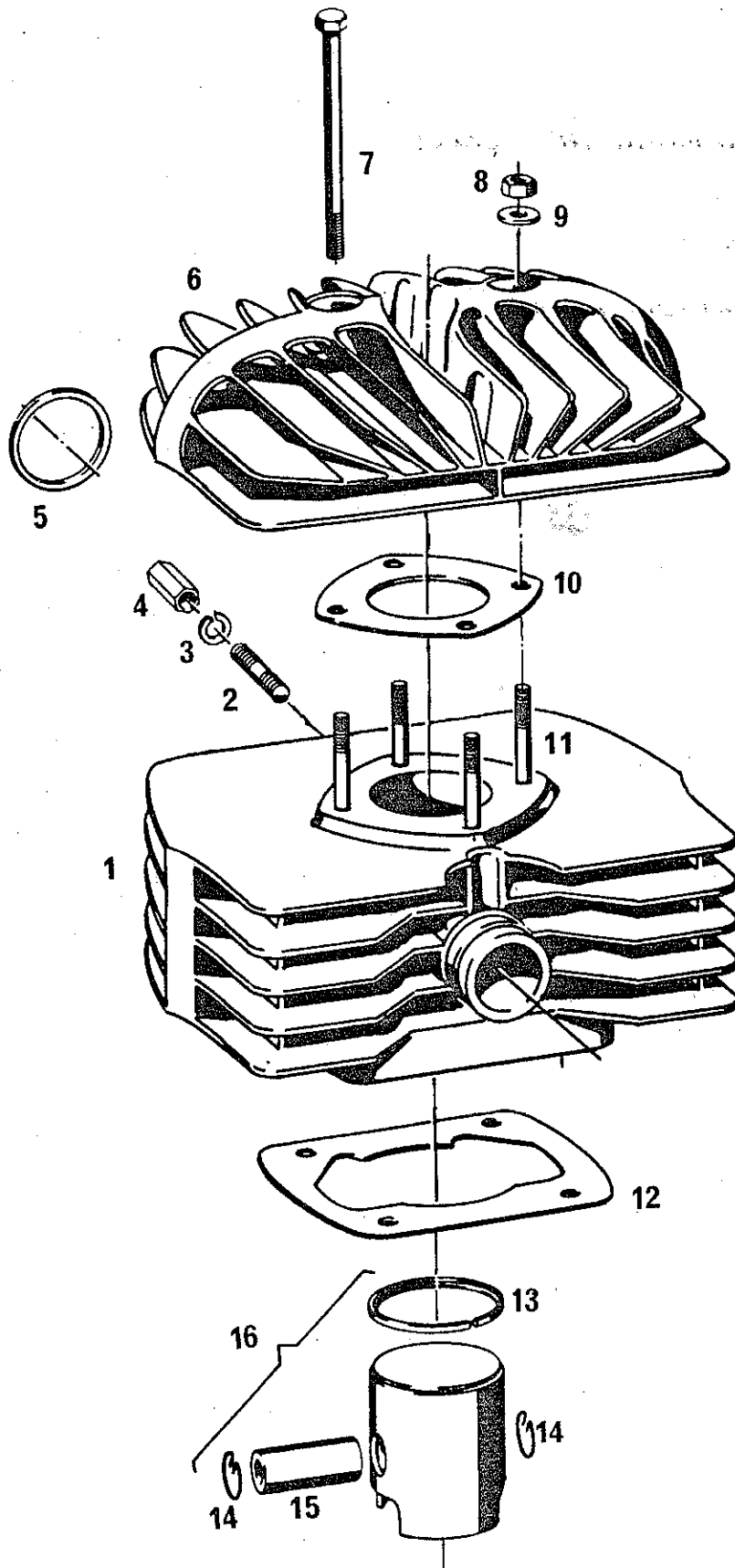


Kolben, Zylinder, Zylinderkopf
Piston, cylinder, cylinder head
Piston, cylindre, culasse



| Bild Nr. | Bestell-Nr. | Benennung | Designation | Désignation | 1252/7 A | 1752/7 A | 2401/7 A | 2501/7 A | 2551/7 A |
|-------------------------|-------------------------|---|-------------------------------------|--|-----------------------|----------|----------|----------|----------|
| Fig. No. | Part No. Réf. No. | | | | | | | | |
| 13 | 0615 107 000 | L-Profilkolbenring φ 53,75 | L-profile piston ring | Segment de piston, profil L | 1 | | | | |
| | 0615 107 001 | L-Profilkolbenring φ 54,00 | L-profile piston ring | Segment de piston, profil L | 1 | | | | |
| | 0615 107 002 | L-Profilkolbenring φ 54,25 | L-profile piston ring | Segment de piston, profil L | 1 | | | | |
| | 0615 108 000 | L-Profilkolbenring φ 59,75 | L-profile piston ring | Segment de piston, profil L | | 1 | | | |
| | 0615 108 001 | L-Profilkolbenring φ 60,00 | L-profile piston ring | Segment de piston, profil L | | 1 | | | |
| | 0615 108 002 | L-Profilkolbenring φ 60,25 | L-profile piston ring | Segment de piston, profil L | | 1 | | | |
| | 0615 111 000 | L-Profilkolbenring φ 70,50 | L-profile piston ring | Segment de piston, profil L | 1 | | | | |
| | 0615 111 001 | L-Profilkolbenring φ 70,75 | L-profile piston ring | Segment de piston, profil L | 1 | | | | |
| | 0615 111 002 | L-Profilkolbenring φ 71,00 | L-profile piston ring | Segment de piston, profil L | 1 | | | | |
| | 0615 109 000 | L-Profilkolbenring φ 71,50 | L-profile piston ring | Segment de piston, profil L | | | | | 1 |
| | 0615 109 001 | L-Profilkolbenring φ 71,75 | L-profile piston ring | Segment de piston, profil L | | | | | 1 |
| | 0615 109 002 | L-Profilkolbenring φ 72,00 | L-profile piston ring | Segment de piston, profil L | | | | | 1 |
| | 0615 110 000 | L-Profilkolbenring φ 73,00 | L-profile piston ring | Segment de piston, profil L | | | | | 1 |
| | 0615 110 001 | L-Profilkolbenring φ 73,25 | L-profile piston ring | Segment de piston, profil L | | | | | 1 |
| | 0615 110 002 | L-Profilkolbenring φ 73,50 | L-profile piston ring | Segment de piston, profil L | | | | | 1 |
| | 14 | 0615 107 100 | Rechteckring φ 53,75 | Rectangular section ring | Segment rectangulaire | 1 | | | |
| 0615 107 101 | | Rechteckring φ 54,00 | Rectangular section ring | Segment rectangulaire | 1 | | | | |
| 0615 107 102 | | Rechteckring φ 54,25 | Rectangular section ring | Segment rectangulaire | 1 | | | | |
| 0615 108 100 | | Rechteckring φ 59,75 | Rectangular section ring | Segment rectangulaire | | 1 | | | |
| 0615 108 101 | | Rechteckring φ 60,00 | Rectangular section ring | Segment rectangulaire | | 1 | | | |
| 0615 108 102 | | Rechteckring φ 60,25 | Rectangular section ring | Segment rectangulaire | | 1 | | | |
| 0615 111 100 | | Rechteckring φ 70,50 | Rectangular section ring | Segment rectangulaire | 1 | | | | |
| 0615 111 101 | | Rechteckring φ 70,75 | Rectangular section ring | Segment rectangulaire | 1 | | | | |
| 0615 111 102 | | Rechteckring φ 71,00 | Rectangular section ring | Segment rectangulaire | 1 | | | | |
| 0615 109 100 | | Rechteckring φ 71,50 | Rectangular section ring | Segment rectangulaire | | | | | 1 |
| 0615 109 101 | | Rechteckring φ 71,75 | Rectangular section ring | Segment rectangulaire | | | | | 1 |
| 0615 109 102 | | Rechteckring φ 72,00 | Rectangular section ring | Segment rectangulaire | | | | | 1 |
| 0615 110 100 | Rechteckring φ 73,00 | Rectangular section ring | Segment rectangulaire | | | | | 1 | |
| 0615 110 101 | Rechteckring φ 73,25 | Rectangular section ring | Segment rectangulaire | | | | | 1 | |
| 0615 110 102 | Rechteckring φ 73,50 | Rectangular section ring | Segment rectangulaire | | | | | 1 | |

Alte Aufg.

Neue Aufg.